

Operation Manual

ST-7R



Eagle America Sales Corp.
2517 W 237th Street, Unit C
Torrance, CA 90505

ACEBIL
CAMERA SUPPORT EQUIPMENT

ST-7R

Shoulder Mount

Copyright © Eagle Beaming International Co. LTD. 2016

All rights reserved. Reproduction of any part of this document including images, artwork, or writing without prior written consent of Eagle Beaming International Co. LTD. in writing is strickly prohibited.

Safety



Where there is a risk of injury, or damage to equipment, this warning symbol will appear. This equipment may cause harm if not used in accordance with this operation manual.

Before operating this equipment, please read manual for safety.

- Ensure slide plate lock lever is firmly tightend.
- Do not modify, or dismantle equipment, as it may cause damage, and injury.
- Always remove camera and accessories before transporting.

Technical Specifications

DC Connection XLR - XLR 4pin DC IN×1(12V) / XLR 4pin DC OUT×1(12V)

DC Connection - MINI 4P DC OUT×1(12V/8.4V)

Junction BNC terminal - 3

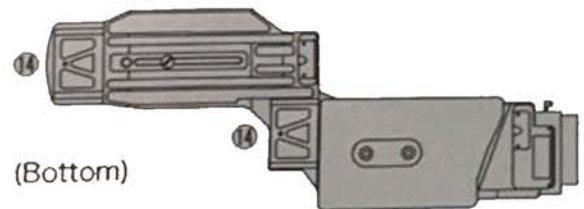
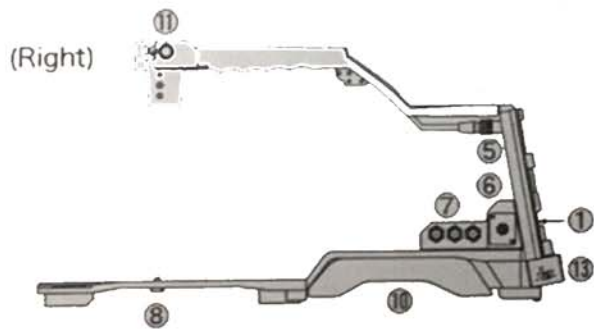
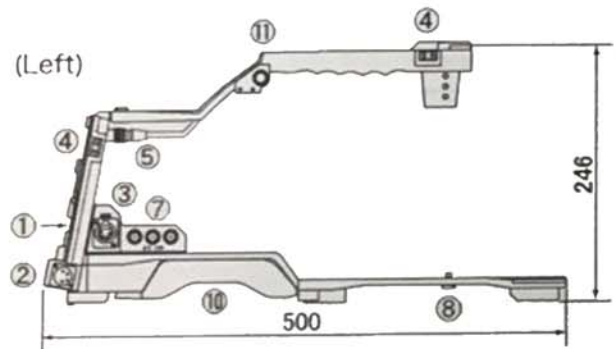
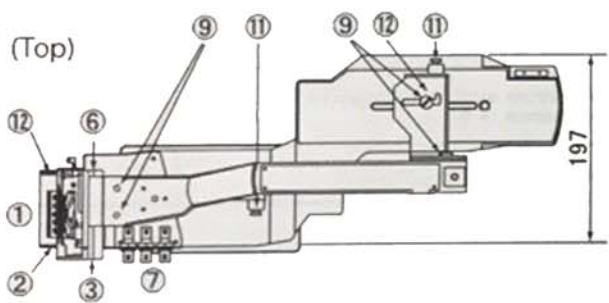
Operation Temperature - 0 °C~40°C

Storage Temperature - -20°C~60°C

Weight - approx - 1.5Kg

Contents

Safety	3
Technical Specifications	3
Components	5
Operation	
Mounting the Camera	6
Connections	8
Further Information	9



- 1 - V-Mount Battery Holder
- 2 - DC 12V In (XLR 4P - male)
- 3 - DC 12V Out (XLR 4P - female)
- 4 - DC 12V Out (CAMTAP x2)
- 5 - DC 12V Connector (MINI 4P - CAMTAP)
- 6 - DC 12V / 8.4V Out (MINI 4P)
- 7 - BNC Connectors

- 8 - Camera Screw
- 9 - Handle Mount Screws
- 10 - Shoulder Pad
- 11 - Shoulder Strap Mount
- 12 - Handle Fitting Bracket
- 13 - Power Switch / LED
- 14 - Tripod Mounting Bracket

ST-7R

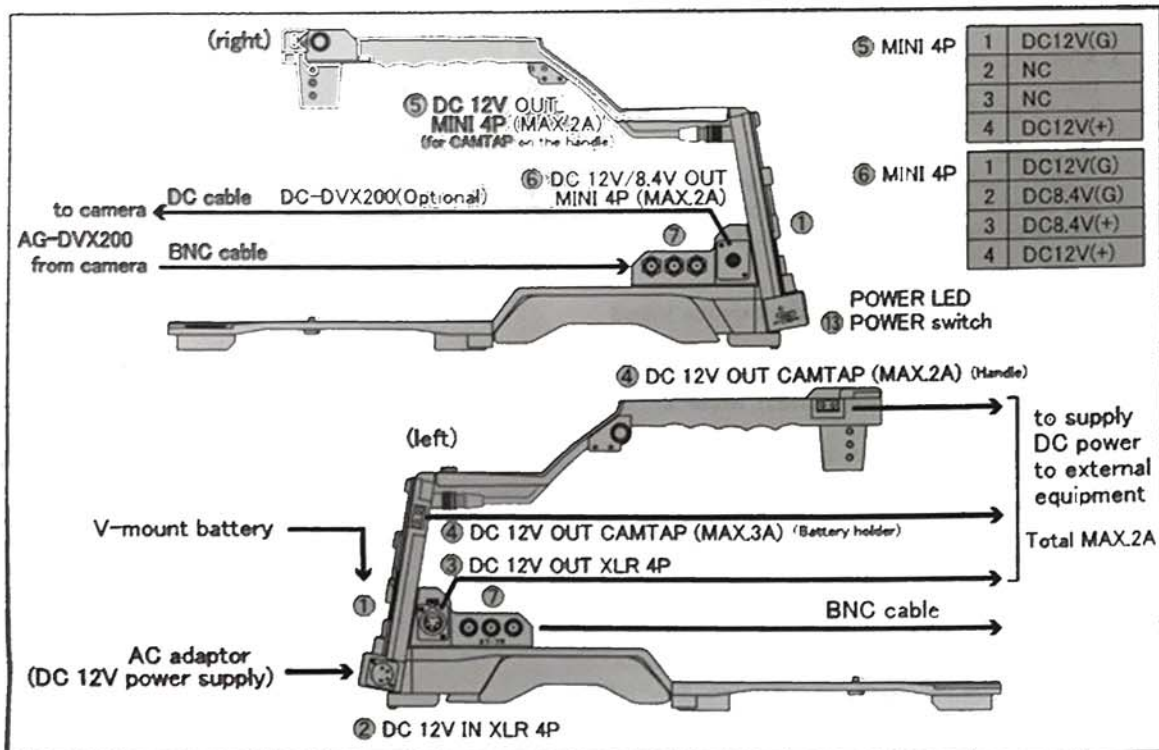
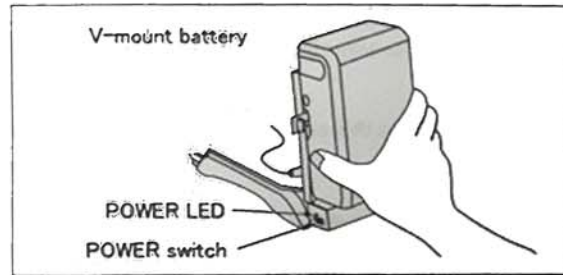
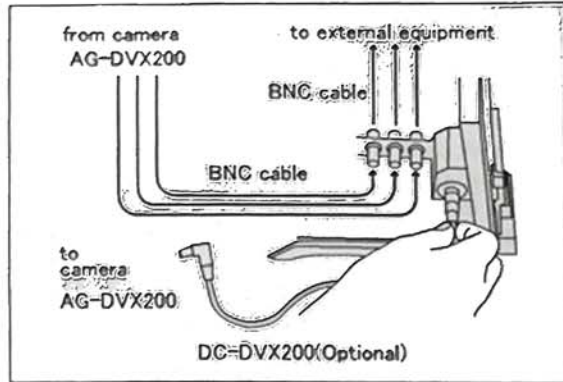
Mounting The Camera

1. Attach camera to ST-7R and temporarily tight camera screw.
2. Attach the handle of the ST-7R to the top of ST-7R and temporarily tighten screws.
3. After camera is installed and in position - tighten all 5 screws ** Do not over tighten **



Connections

1. To supply the DC power to AG-DVX200 from ST-7R, connect them with the DC cable DC-DVX200(optional).
2. The BNC cables from AG-DVX200 can be connected to the BNC-BNC joint connectors.
3. Attach a V-mount type battery pack to the V-mount battery holder of ST-7R.
4. Turn on the POWER switch of ST-7R. The POWER indicator LED lights up and the DC power is supplied to the camera and the external equipment.



Further Information

For more information on products listed in this manual, visit us online:

www.acebil.com

or contact us at:

Eagle America Sales Corporation
Acebil
2517 W 237th Street, Unit C
Torrance, CA 90505

TEL: (310) 257-8886

FAX: (310) 257-8885

To view our full line of Acebil camera support equipment, visit us online:

www.acebil.com

